

405 SERIES

Agricultural Application Particulate Removing & Water Sensing



FOR DISPOSAL INFORMATION PLEASE CONTACT YOUR NEAREST EPA OFFICE.

Specifications

- The PetroClear® model 40510WA utilizes a 10 micron (nominal) cellulose media to remove particulate from gasolines and diesel fuels including Biodiesel and ULSD (Ultra Low Sulfur Diesel). Removes particulate 10 microns (nominal) or larger. It utilizes a super absorbent media that is laminated to the filter media for water sensing capabilities in neat gasoline and diesel fuels.
- The PetroClear® model 40530WA utilizes a 30 micron (nominal) cellulose media to remove particulate from gasolines and diesel fuels including Biodiesel and ULSD (Ultra Low Sulfur Diesel). Removes particulate 30 microns (nominal) or larger. It utilizes a super absorbent media that is laminated to the filter media for water sensing capabilities in neat gasoline and diesel fuels.
- Once PetroClear® models 40510WA and 40530WA have absorbed 5.9 ounces (175 mil) of water in neat gasoline or diesel fuels, flow will be slow and will be noticeable.
- The maximum flow rate for PetroClear® models 40510WA and 40530WA is 25 gpm (94.6 lpm). Maximum operating pressure is 50 psid (3.4 bar). Collapse pressure is 150 psid (10.3 bar). Maximum operating temperature is 250°F (139°C).
- PetroClear® models 40510WA and 40530WA utilize a standard 1.375" – 12 UNF mounting thread ref. (1" flow) required for most spin-on filter Adapters used in agricultural applications.
- PetroClear® models 40510WA and 40530WA utilize an epoxy coated interior shell to eliminate oxidation (rusting) that can cause pinhole leaks from the inside of the filter shell.
- Adapters are available for models 40510WA and 40530WA in cast iron. These single Adapters are available in 1" NPT inlet/outlet threads.

Benefits

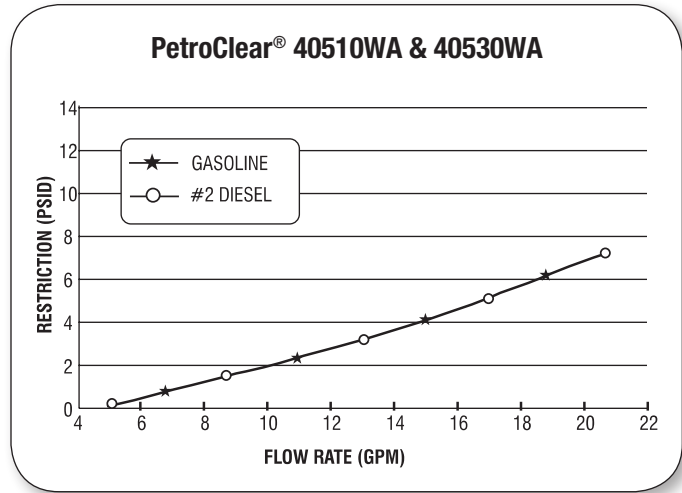
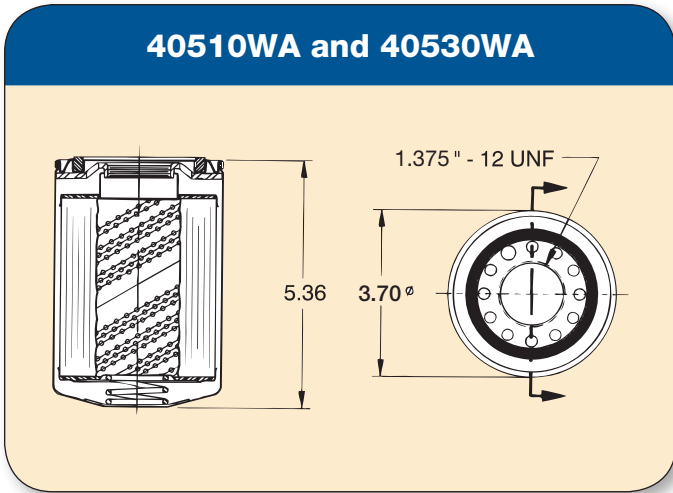
- PetroClear® models 40510WA and 40530WA are particulate removing and water sensing spin-on filters designed to remove particulate and to sense both free and emulsified water from neat gasoline, diesel, Biodiesel, ULSD (Ultra Low Sulfur Diesel), kerosene and fuel oils.
- PetroClear® models 40510WA and 40530WA are particulate and water sensing spin-on filters. These filters are designed to sense water, both free and emulsified, and slow flow as an indicator of the presence of water in neat gasoline. THIS FILTER WILL NOT DETECT OR REACT TO WATER IN ETHANOL BLENDED GASOLINE. (A reaction known as phase separation)
- PetroClear® model 40510WA filter offers efficient 10 micron (nominal) particulate removal and senses both free and emulsified water in neat gasoline and diesel fuels.
- PetroClear® model 40530WA filter offers efficient 30 micron (nominal) particulate removal and senses both free and emulsified water in neat gasoline and diesel fuels.
- Will not detect phase separation in Ethanol blended fuels.
- Textured paint coating helps ensure a simple, mess-free installation and removal process.

PetroClear® Filters are NOT to be used in Aviation Fuel Applications!

NOTE: If you experience frequent filter changes, it is recommended that you have fuel samples analyzed to determine the source of contamination, such as water, dirt, rust, bacteria, phase separation, etc.

40510WA and 40530WA

For Fuel Dispensers



Model	40510WA	40530WA
Filter Type	Spin-On	Spin-On
Media Type	*Cellulose with Super Absorbent Media	*Cellulose with Super Absorbent Media
Micron Rating	10 Micron (nominal)	30 Micron (nominal)
Diameter	3.70"	3.70"
Height	5.36"	5.36"
Mounting Thread	1.375" - 12 UNF	1.375" - 12 UNF
Flow Rate	25 gpm (94.6 lpm)	25 gpm (94.6 lpm)
Flow	1" flow	1" flow
Shell Thickness	0.020	0.020
Gasket Material	Buna N	Buna N
Collapse (Min.)	150 psid (10.3 bar)	150 psid (10.3 bar)
Burst (Min.)	250 psi (17.2 bar)	250 psi (17.2 bar)
Max. Operating Temp.	250°F (139°C)	250°F (139°C)

*Water Sensing & Particulate Removing

Available Adapters

Part/Model Number	Description
1.0 N1.375-12	1" NPT Inlet/Outlet Ports, 1.375" - 12 UNF (cast iron)